



ROD ACTUATOR

NEW

# CRES

- Low-cost, User Friendly Actuator
- Dust-proof and Waterproof Spec Compliant with IP55 Standard



# ROD ACTUATOR CRES

## C

### OMPACT

All actuator components are concealed

## R

### IGID

Splash-Proof construction, complies with IP55 standard

## E

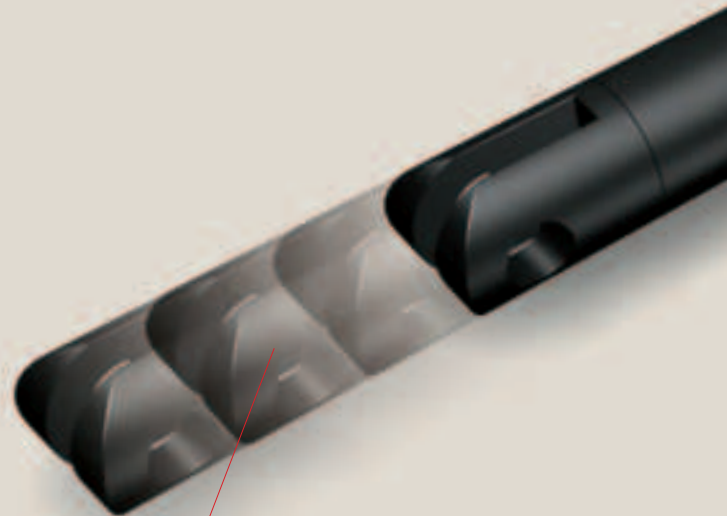
### CONOMICAL

Low cost, simple structure due to the use fewer components

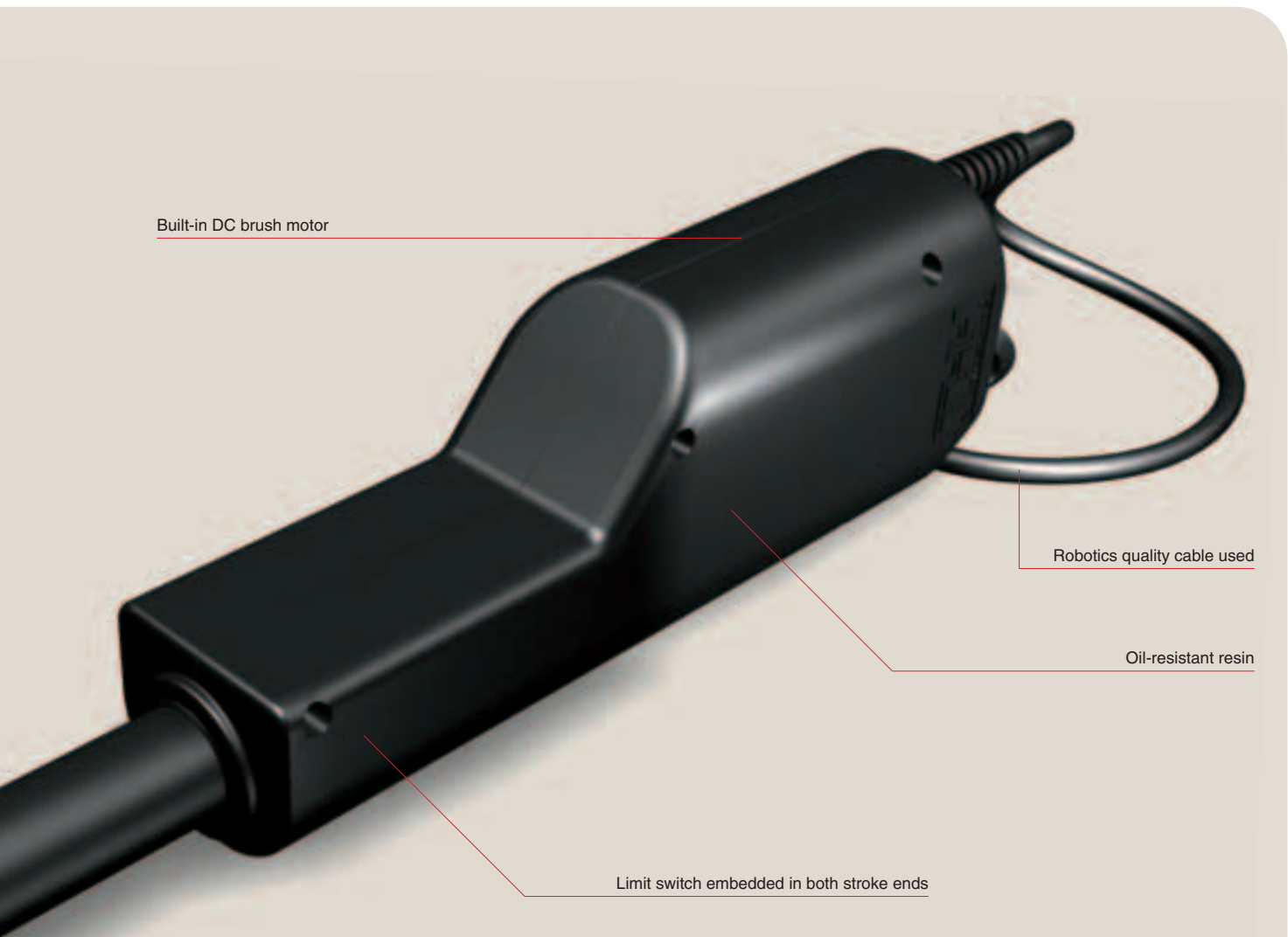
## S

### TYLISH

Streamlined, corner-free design



Light weight rod made of tough resin material



Built-in DC brush motor

Robotics quality cable used

Oil-resistant resin

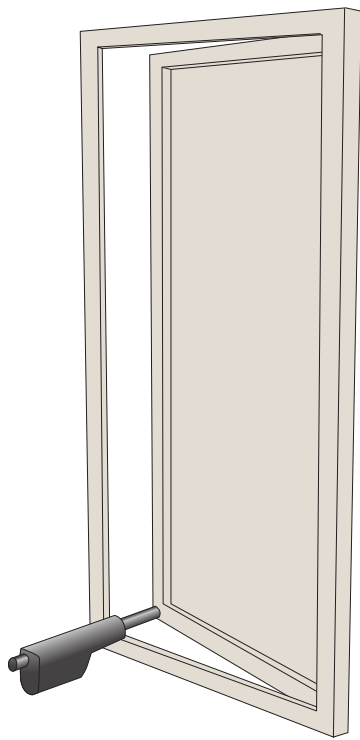
Limit switch embedded in both stroke ends

## CRES Actuator Size Lineup

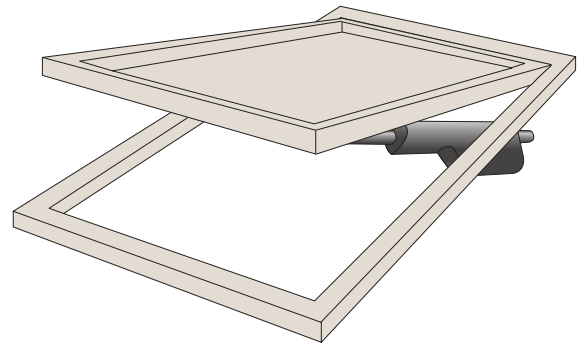
■ High-Speed Type: **CRES 200**  
Rated thrust: 196N  
Rated speed: 55mm/sec

■ High-Power Type: **CRES 500**  
Rated thrust: 490N  
Rated speed: 15mm/sec

# ROD ACTUATOR CRES

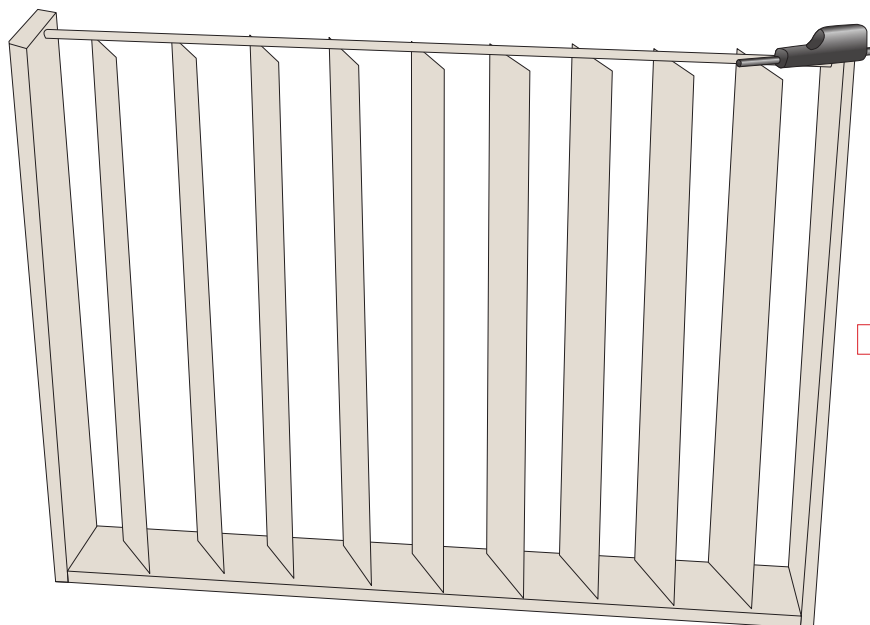


High-rise windows,  
exhaust windows, etc.

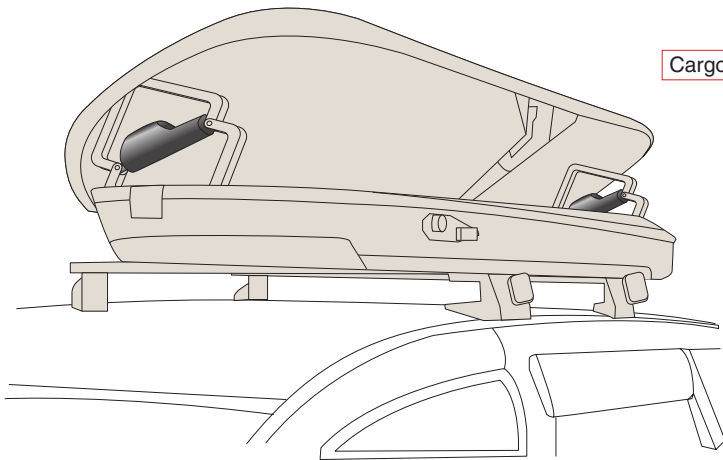


## APPLICATIONS —Examples—

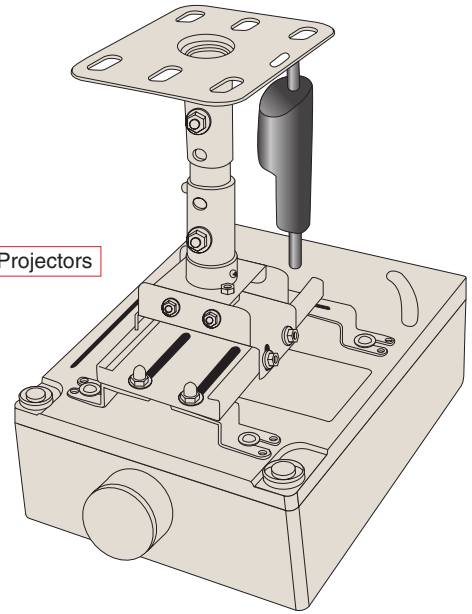
The CRES Rod type actuator can be used in various applications requiring simple movement with simple control, such as electrically powered opening of high-rise windows (skylights, greenhouse windows, etc.) and electrically powered window blinds.



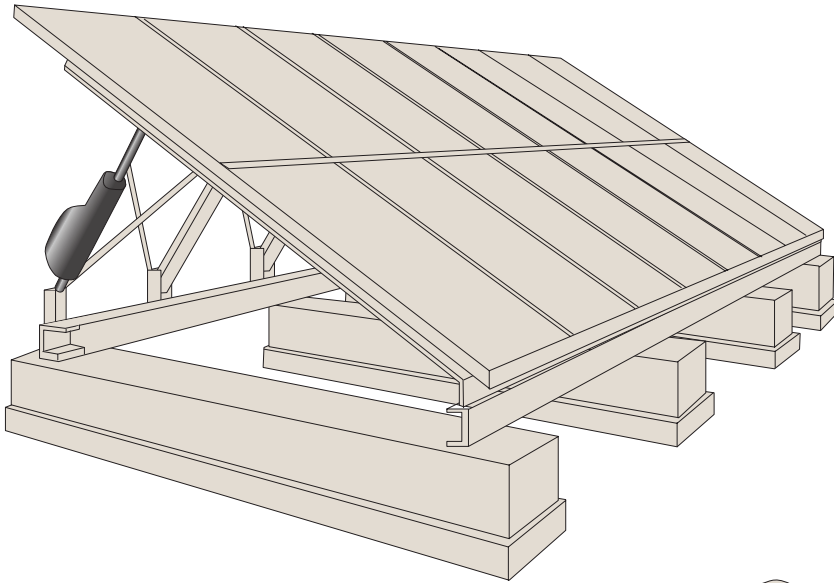
Blind



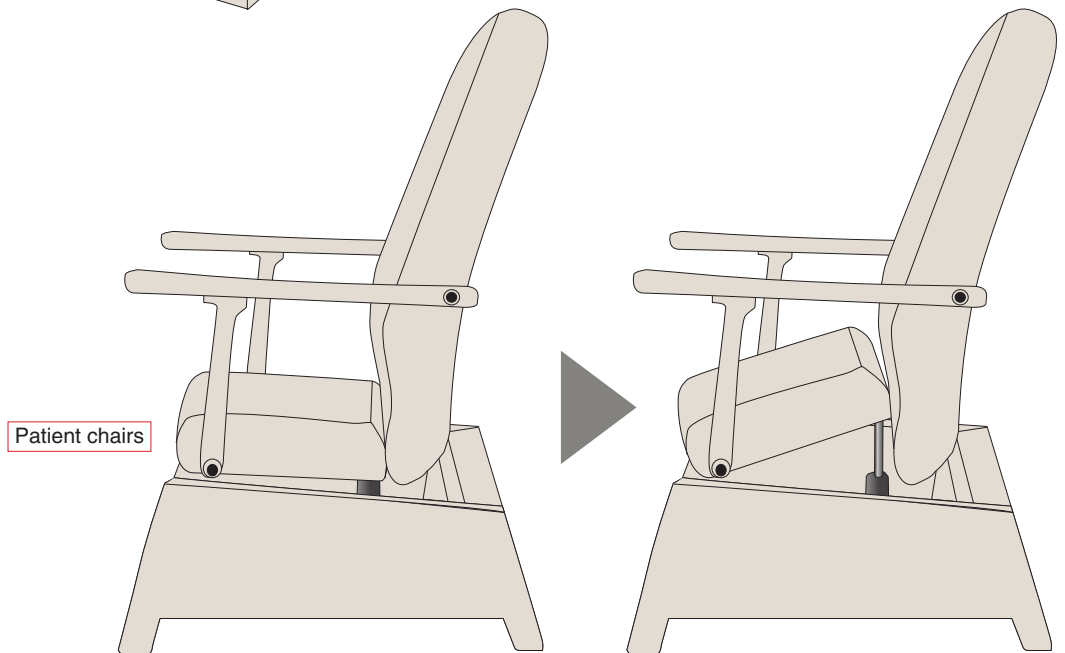
Cargo boxes



Projectors

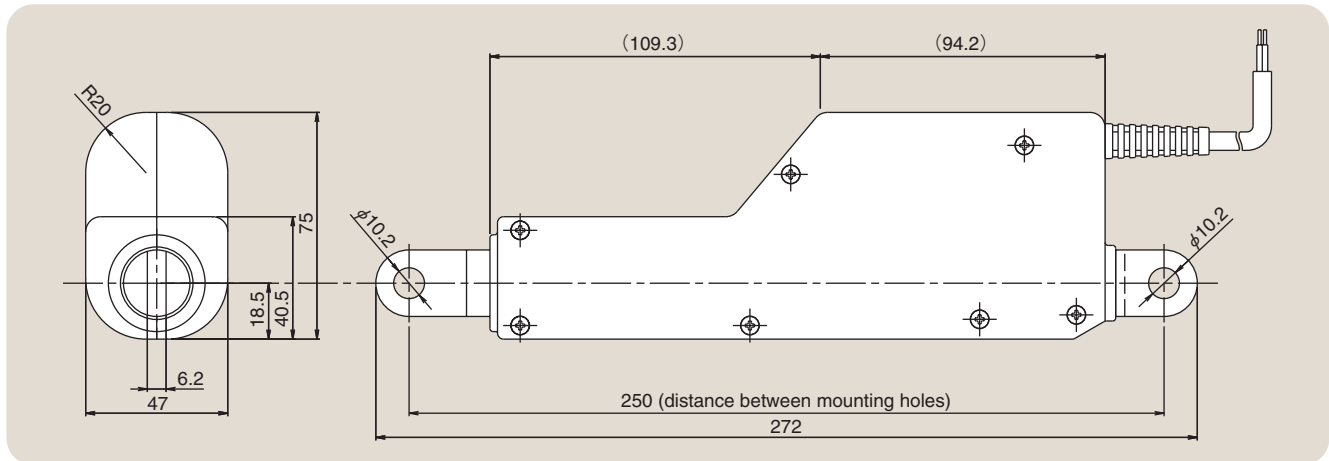


Solar systems



Patient chairs

## Outlines dimensions of CRES



## Model number designation of CRES

**CRES 200 – 130 – 12 – E**

①      ②      ③      ④      ⑤

①	Model No.	CRES
②	Applicable thrust	200: 196N (20kgf) type 500: 490N (50kgf) type
③	Stroke length	50mm • 100mm • 130mm
④	Motor voltage	12: DC12V E: other (optional)
⑤	Cable end treatment	No symbol: none (pre-soldered only) E: other (optional)

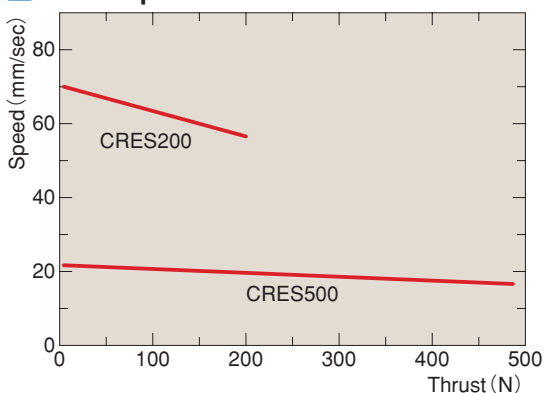
\* Standard cable has a length of 1,000mm (with wire end pre-soldered).

## Specifications of CRES

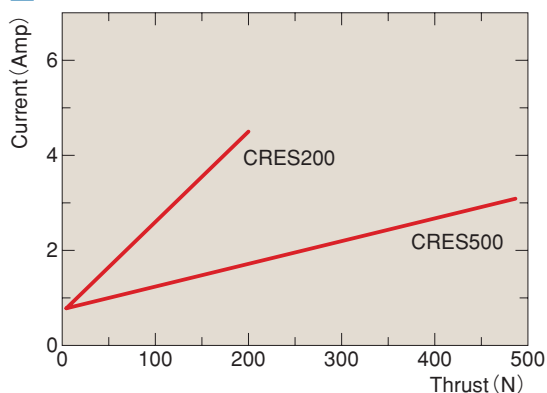
### Basic specifications

Item	Unit	CRES200	CRES500	
Rated speed (at rated thrust)	mm/sec	55	15	
Rated thrust (at 12VDC, 4.5A input)	N	196	490	
Screw lead	mm	6	2	
Motor (DC motor)	-	DC12V±15%		
Rod diameter	mm	φ 22		
Service temperature environment	-	-10°C to +60°C (20 to 80% RH or less)		
Storage temperature environment	-	-20°C to +70°C (20 to 80% RH or less)		
Max stroke	mm	50	100	130
Limit switch active position	mm	0, 50	0, 100	0, 130
Mass	g	700		

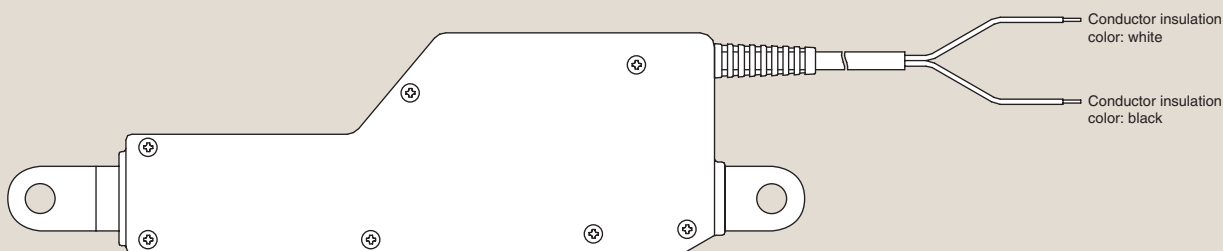
### Thrust-speed characteristic



### Thrust-current characteristic

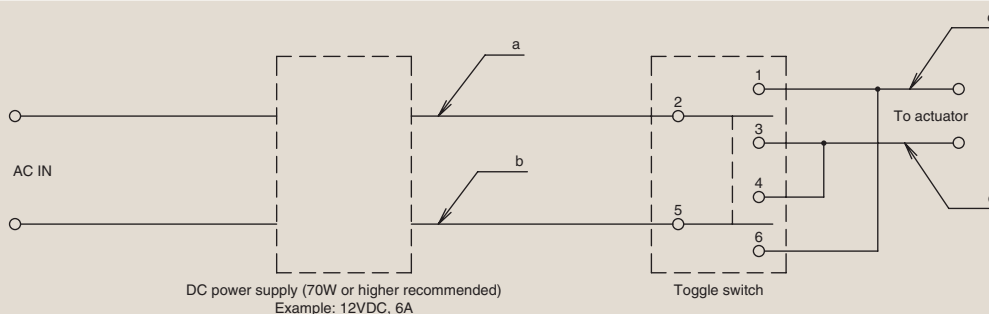


## Operating Direction of CRES



The actuator extends if a positive current is connected to the white cable.

## Example of Wiring CRES



In the figure above, the actuator extends if a positive current is applied to "a," the white colored conductor of the actuator is connected to "c" and the black colored conductor to "d," and then the toggle switch is turned on at 2-1 and 5-4.

## Other

To use this product in a special environment, change the motor voltage rating or the connector type, please contact THK.

## Change the motor voltage rating or the connector type, please contact THK

- Do not apply a moment to the rod.
- When using a 12-V power supply, do not exceed 8A. This may generate heat and result in fire.
- The stroke is controlled between the ends at 0 to 50, 100 and 130. If an intermediate stop is desired, please provide an external switch.

Be sure to observe the following for safe use of this product.



Warning

### Do not have sudden impact.

Observe not to drop the product or have an impact on the product when storing, transporting, installing or operating it. Doing so may cause injury or malfunction.

### Do not disassemble the product.

Do not disassemble, alter or repair the product by yourself. Doing so may cause fire, electric shock or malfunction. In addition, unauthorized disassembly will void the product warranty.

### Do not use the product at voltage other than the rated voltage.

Do not use the product at a voltage other than the operating conditions, supply voltage. Doing so may cause fire or electric shock.

### Unplug the power cord if abnormal performance occurs.

If you experience an abnormal operating conditions, such as abnormal noise, smoke and abnormal odor, unplug the power cord. Using the product in an abnormal condition may cause fire, electric shock or malfunction.

### Do not touch any moving part.

Do not touch any moving part during operation. Use particular care not to let children touch them. It may cause injury or malfunction.

# ROD ACTUATOR

---

# CRES

## THK CO., LTD.

HEAD OFFICE 3-11-6, NISHI-GOTANDA, SHINAGAWA-KU, TOKYO 141-8503 JAPAN  
ASIA PACIFIC SALES DEPARTMENT PHONE:(03)5434-0351 FAX:(03)5434-0353

### NORTH AMERICA

CHICAGO  
PHONE:(847)310-1111 FAX:(847)310-1182  
NEW YORK  
PHONE:(845)369-4035 FAX:(845)369-4909  
ATLANTA  
PHONE:(770)840-7990 FAX:(770)840-7897  
LOS ANGELES  
PHONE:(949)955-3145 FAX:(949)955-3149  
SAN FRANCISCO  
PHONE:(925)455-8948 FAX:(925)455-8965  
BOSTON  
PHONE:(781)575-1151 FAX:(781)575-9295  
DETROIT  
PHONE:(248)858-9330 FAX:(248)858-9455  
TORONTO  
PHONE:(905)820-7800 FAX:(905)820-7811  
**BRASIL (SÃO PAULO)**  
PHONE:(011)3767-0100 FAX:(011)3767-0101

### EUROPE

DÜSSELDORF  
PHONE:0049-(0)2102-7425-0 FAX:0049-(0)2102-7425-299  
STUTTGART  
PHONE:0049-(0)7150-9199-0 FAX:0049-(0)7150-9199-888  
MÜNCHEN  
PHONE:0049-(0)89-370616-0 FAX:0049-(0)89-370616-26  
U.K.  
PHONE:0044-(0)1908-303050 FAX:0044-(0)1908-303070  
MILANO  
PHONE:0039-039-2842079 FAX:0039-039-2842527  
BOLOGNA  
PHONE:0039-051-6412211 FAX:0039-051-6412230  
SWEDEN  
PHONE:0046-(0)8-4457630 FAX:0046-(0)8-4457639  
AUSTRIA  
PHONE:0043-(0)7229-51400 FAX:0043-(0)7229-51400-79  
SPAIN  
PHONE:0034-93-652-5740 FAX:0034-93-652-5746  
THK FRANCE S. A. S.  
PHONE:0033-(0)4-37491400 FAX:0033-(0)4-37491401  
**SOUTH AFRICA**  
PHONE:0027-(0)44-2720020 FAX:0027-(0)44-2720020

### CHINA

THK (SHANGHAI) CO.,LTD.  
PHONE:(21)6334-5131 FAX:(21)6334-5137  
BEIJING  
PHONE:(10)6590-3259 FAX:(10)6590-3557  
THK SHOUZAN CO.,LTD.  
PHONE:2376-1091 FAX:2376-0749

### TAIWAN

TAIPEI  
PHONE:(02)2888-3818 FAX:(02)2888-3819  
TAICHUNG  
PHONE:(04)2359-1505 FAX:(04)2359-1506  
SOUTHERN  
PHONE:(06)289-7668 FAX:(06)289-7669

### KOREA (SEOUL)

PHONE:(02)3468-4351 FAX:(02)3468-4353

### MALAYSIA (KUALA LUMPUR)

PHONE:(03)9287-1137 FAX:(03)9287-8071

### INDIA (BANGALORE)

PHONE:(080)2330-1524 FAX:(080)2330-1524

